



LED city lighting

GC-City-series

30W-60W

Datasheet

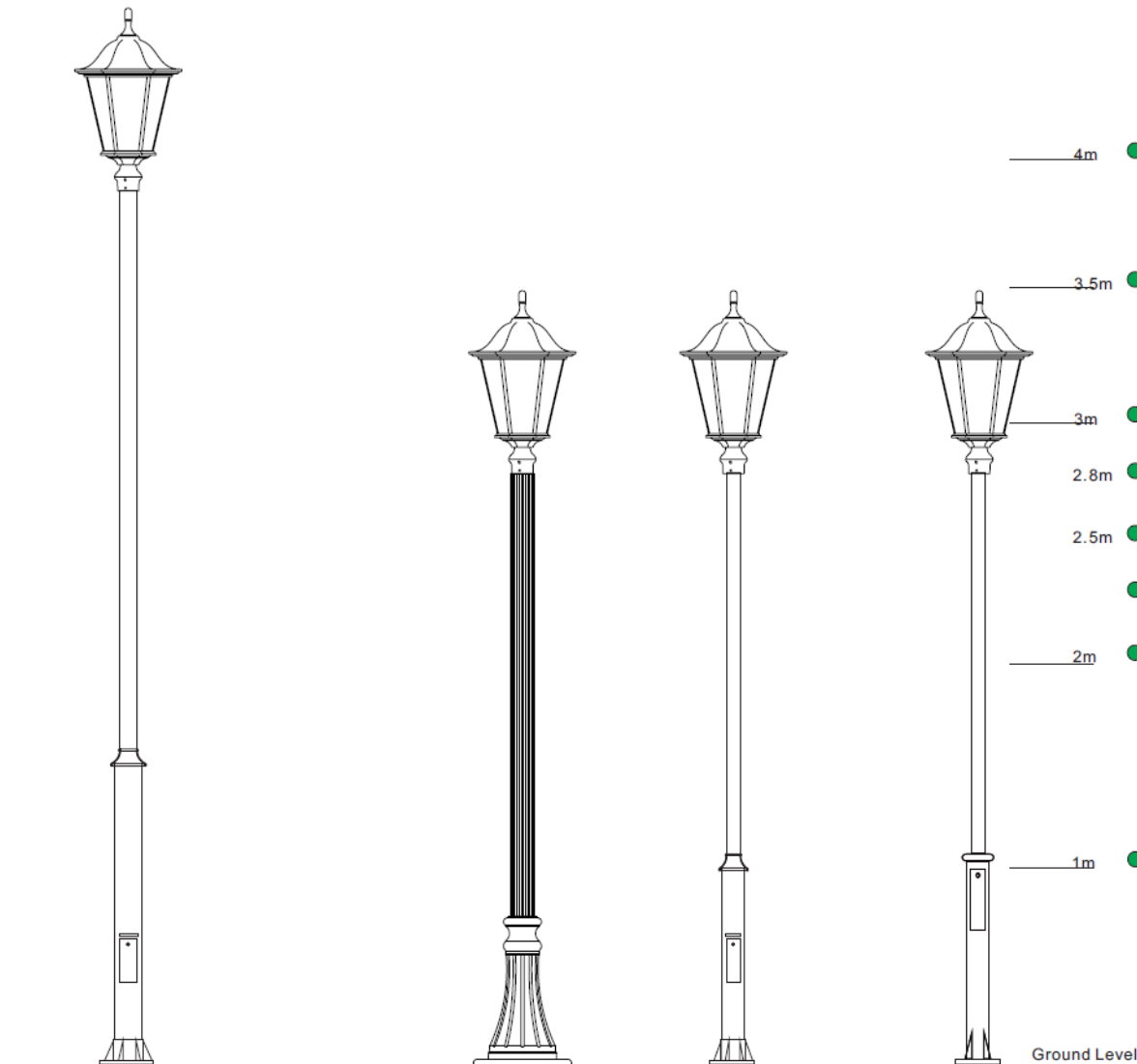




TECHNICAL SPECIFICATION

DESCRIPTION	LED CITY/PARK LIGHTING			
USAGE	Parks, streets, pathways			
MODEL	GC-30	GC-40	GC-50	GC-60
LED MAX.POWER (W)	30	40	50	60
EFFICIENCY			105lm/W	
RA70 LED PHILIPS 3030				
EFFICIENCY			130lm/W	
RA70 LED PHILIPS 5050				
LED SOURCE	PHILIPS LumiLeds 3030/5050			
CCT	3000K/4000K/5000K/57000K Ra70 standard (other on request)			
LIFESPAN	>100.000hod @TQ 25°C L70			
INPUT VOLTAGE	220-240VAC 50/60Hz			
PF	>0.93			
PROTECTION	Class I			
DIMMING (OPTIONAL)	DALI, 1-10V			
WORKING TEMPERATURE	-25°C to +50°C			
STORAGE TEMPERATURE	-25°C to +50°C			
MATERIAL	Aluminium alloy			
OPTICAL COVER	Tempered glass diffusor/PC diffusor			
IP	IP66, IK08 (Glass cover), IP68 LED part			
WARRANTY	5 years			

RELIABLE SOLUTION

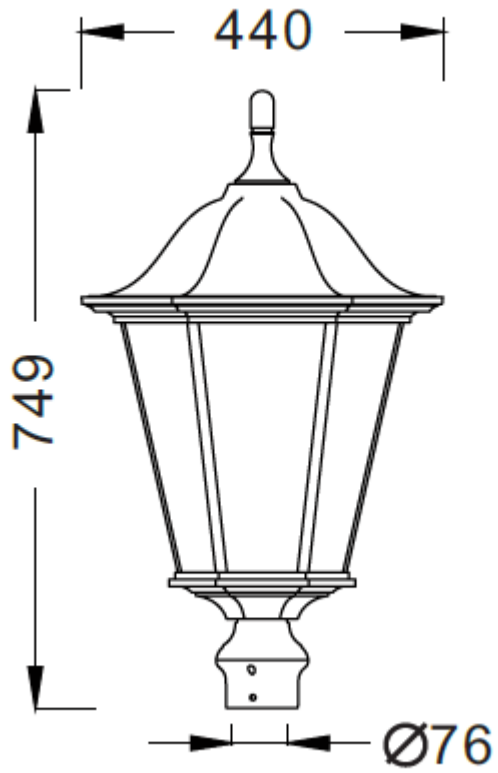




CONSTRUCTION

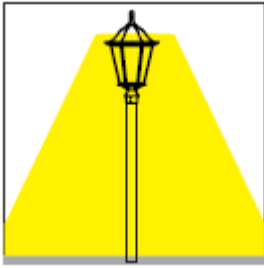


DIMENSIONS





OPTICS



ORDER INFORMATION

Model ID	Power	Efficiency	CCT	CRI	Control	Diffusor	Mounting	Body color
	30=30W 40=40W 50=50W 60=60W	A=105lm/W P=130lm/W	30K=3000K 40K=4000K 50K=5000K 57K=5700K	70=min 70	ND=non-dimmable VD=0/1-10V DD=DALI	TG=tempered glass PC=polycarbonate	X=top post	B=black S=silver G=grey W=white

*Notice

Ambiente temprature 25 °C. Electrical and optical parameters within tolerance of $\pm 5\%$.

All product under constant development. Please contact your dealer to ask for updated parameters.